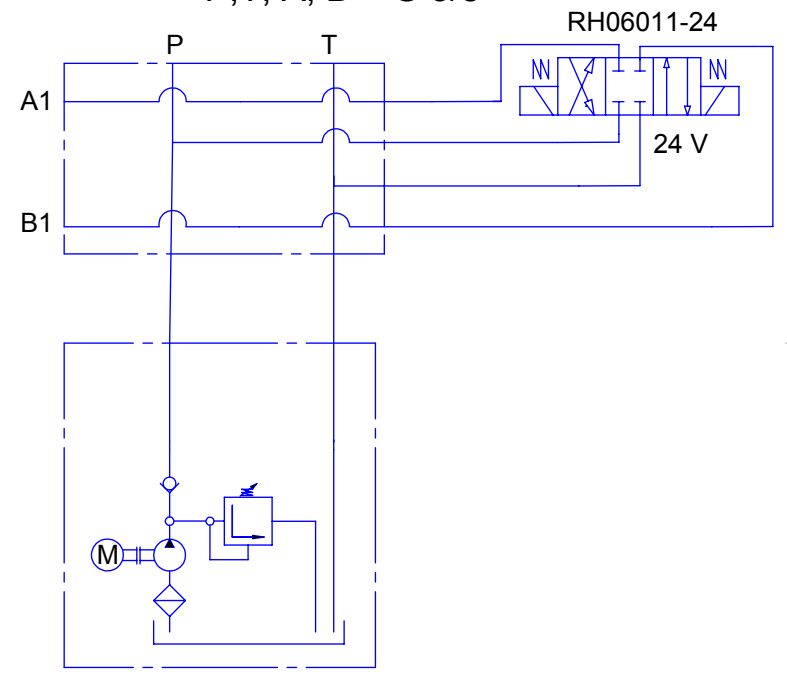


Hydraulic Circuit
P, T, A, B = G 3/8



2 buttons control
with 3 meter cable



ELECTRIC MOTOR

PUMP & OIL TANK

MAX. PRESSURE

Power: 2 kW

Pump displacement: 2.1

P: 190 bar

Voltage: 24 V DC

Tank Capacity: 6 liter cylinder, horizontal



Sanayi Mah. İzmit Sanayi Sitesi 13. Cad. İç Kapı No: 54 İzmit/KOCAELİ - TURKEY
Tel: +90 262 335 63 66 Fax: +90 262 335 63 70
www.hydropack.com.tr / info@hydropack.com.tr

Notes:

	NAME	SIGNATURE	DATE	MATERIAL:
DESIGNED BY	H. TARHAN			

HPP-D1-24-2-2.1C-6LH+A03+06011+REM

A4

DIMENSIONS: mm

SCALE: 1:5

PAGE 1 / 1