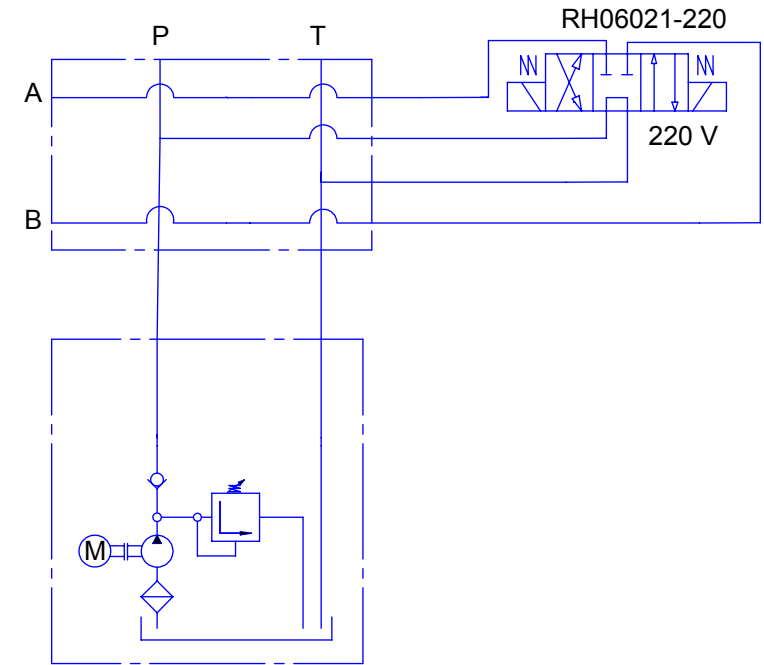


Hydraulic Circuit
P, T, A, B = G 3/8



ELECTRIC MOTOR

PUMP & OIL TANK

MAX. PRESSURE

Power: 2.2 kW

Pump displacement: 2.1 cc/rev

P: 220 bar

Voltage: 380 V AC

Tank Capacity: 6 liter cylinder, horizontal

Notes:

DESIGNED BY	NAME	SIGNATURE	DATE	MATERIAL:
	H. TARHAN			


 Sanayi Mah. İzmit Sanayi Sitesi 13. Cad. İç Kapı No: 54 İzmit/KOCAELİ - TURKEY
 Tel: +90 262 335 63 66 Fax: +90 262 335 63 70
 www.hydropack.com.tr / info@hydropack.com.tr

HPP-A1-380-2.2-2.1C-6LH-1XA03+021

A4