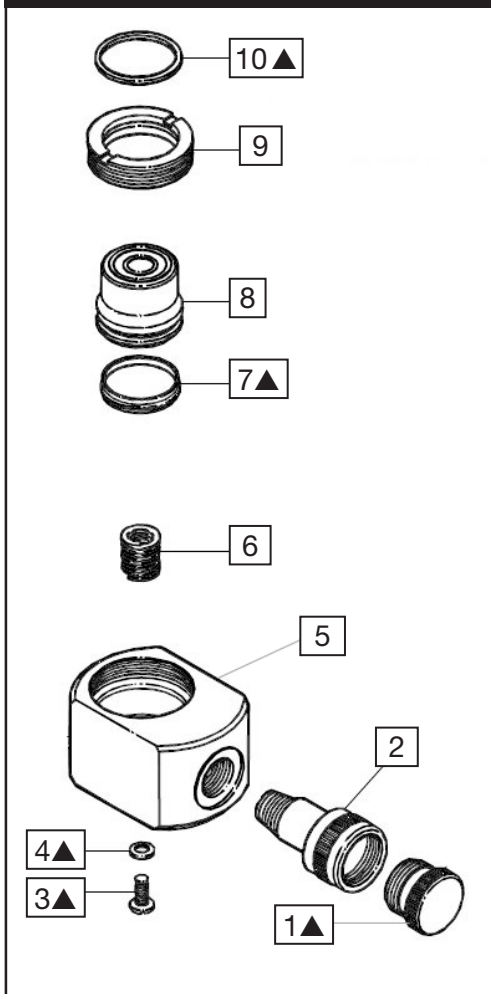


Repair Parts Sheet

RSM50, RSM100, RSM200, RSM300, RSM500,
RSM750, RSM1000, RSM1500

Repair Parts Sheet	Revision	Revision Date	Product Code Beginning
Reference nr. L2810	Rev. C	04/2016	A

RSM50, RSM100



Repair Parts List

Item nr.	Description	Qty.	RSM50	RSM100
1	Dust Cap	1		▲
2	Coupler	1	AR400	CR400
3	Button Hd. Screw	1	▲	▲
4	Copper Gasket	1	▲	▲
5	Base	1	Not a service item. Order complete Cylinder.	
6	Spring Assy (incl. Items 3&4)	1	DA4016950SR	CU725900SR
7	G-T Ring	1	▲	▲
8	Plunger	1	Not a service Item Order complete Cylinder	
9	Stop ring	1	Not a service Item Order complete Cylinder	
10	Wiper	1	▲	▲
11	Coupler O Ring (not shown)	1	▲	▲
12	Caution Decal (not shown)	1	▲	▲
13	Flat-jack Decal (not shown)	1	▲	▲
	Repair Kit	1	RSM50K50	RSM100K50

▲ = Items included in and available only as part of the repair part kit
Note: For Viton seals , order Repair kit RSM50KV

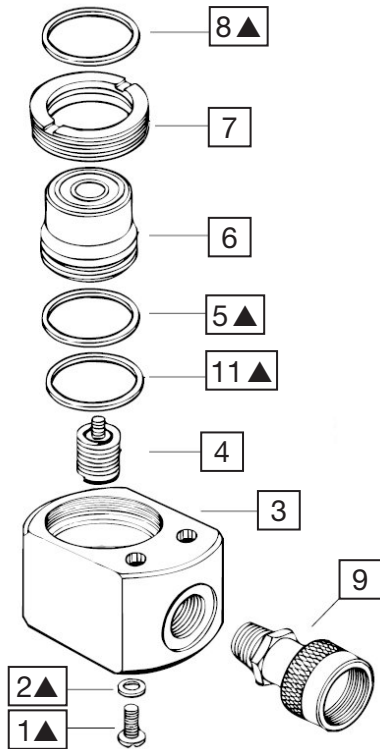
Item Nr.	Model	Torque / notes
2	all	34- 81 N/m 25 – 60 ft lbs
2	all	Use Loctite #545 or Teflon tape.
3	all	4,5 – 5,1 Nm 40-45 in lb
6	all	4,5 – 5,1 Nm 40-45 in lb



To maintain your warranty,
have your products inspected and repaired by an
authorised Enerpac Service Centre

www.enerpac.com

RSM200, RSM300, RSM500



Repair Parts List

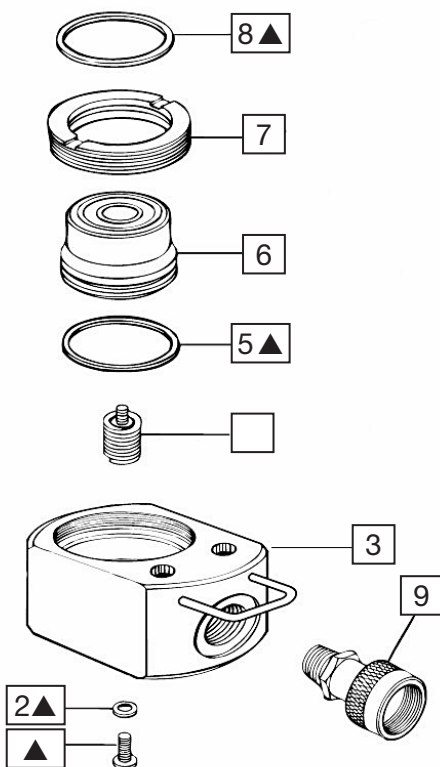
Item nr.	Description	Qty.	RSM200	RSM300	RSM500
1	Cap Screw	1	▲	▲	▲
2	Copper Gasket	1	▲	▲	▲
3	Cylinder Base	1	Not a service item. Order complete cylinder.		
4	Spring Assy. (Including item 1&2)	1	CU725900 SR	CU729900 SR	CU730900 SR
5	Back-Up Ring	1	▲	▲	▲
6	Plunger	1	Not a service item. Order complete cylinder		CR53040
7	Stop ring	1	Not a service item. Order complete cylinder		DA2556044
8	Wiper Ring	1	▲	▲	▲
9	Coupler	1	CR400	CR400	CR400
10	Dust Cap (not shown)	1	▲	▲	▲
11	O Ring	1	▲		
12	Coupler O Ring (not shown)	1	▲	▲	▲
13	Caution Decal (not shown)	1	▲	▲	▲
14	Flat-jack Decal (not shown)	1	▲	▲	▲
	Kit	1	RSM200K50	RSM300K50	RSM500K50

▲ = Items included in and available only as part of the repair part kit

Item Nr.	Model	Torque / notes
1	RSM 200	4,5 – 5,1 Nm 40-45 in lb
1	RSM 300	10,2 – 10,7 Nm 90 – 95 in lb
1	RSM 500	10,2 – 10,7 Nm 90 – 95 in lb
4	RSM 200	4,5 – 5,1 Nm 40-45 in lb
4	RSM 300	10,2 – 10,7 Nm 90 – 95 in lb
4	RSM 500	10,2 – 10,7 Nm 90 – 95 in lb
9	all	34- 81 N/m 25 – 60 ft lbs
9	all	Use Loctite #545 or Teflon tape.



RSM750, RSM1000, RSM1500



Repair Parts List

Item Nr.	Description	Qty.	RSM750	RSM1000	RSM1500
1	Cap Screw	1	▲	▲	▲
2	Copper Gasket	1	▲	▲	▲
3	Cylinder Base	1	Not a service item. Order complete cylinder.		
4	Spring Assy. (Including item 1&2)	1	CU730900SR	CU730900SR	CU730900SR
5	G-T Ring	1	▲	▲	▲
6	Plunger	1	CR94040	CR107040	CR114070
7	Stop ring	1	CR930044	CR106044	CR116044
8	Wiper Ring	1	▲	▲	▲
9	Coupler	1	CR400	CR400	CR400
10	Dust Cap (not shown)	1	▲	▲	▲
11	Coupler O Ring (not shown)	1	▲	▲	▲
12	Warning Decal (not shown)	1	▲	▲	▲
13	Flat-jack Decal (not shown)	1	▲	▲	▲
	Repair Kit	1	RSM750K50	RSM1000K50	RSM1500K50

▲ = Items included in and available only as part of the repair part kit



Item Nr.	Model	Torque / notes
1	all	10,2 – 10,7 Nm 90 – 95 in lb
4	all	10,2 – 10,7 Nm 90 – 95 in lb
9	all	34- 81 N/m 25 – 60 ft lbs
9	all	Use Loctite #545 or Teflon tape